



Power Lock: Retaining heads

Retaining heads for heavy duty applications with thread for threaded gas nozzles for simple and safe installation

Overview of retaining heads

DESCRIPTION	PART-NO.
Standard	43-9-2
ZK type	43-8-6



Power Lock: Contact tips

- Tapered design for high TCP reproducibility
- Improved heat transfer extends lifetime
- Improved power transition: constant arc quality

Overview of contact tips (also for ZK type)

Wire- ϕ	Steel applications	Stainless steel applications	Aluminum applications
	Cu-ETP / PART-NO.	CuCrZr / PART-NO.	CuCrZr / PART-NO.
0.8 mm	40-4-5-0.8E	40-4-7-0.8S	—————
0.9 mm	40-4-5-0.9E	40-4-7-0.9S	—————
1.0 mm	40-4-5-1.0E	40-4-7-1.0S	—————
1.2 mm	40-4-5-1.2E	40-4-7-1.2S	40-4-7-1.2AL
1.4 mm	—————	40-4-7-1.4S	—————
1.6 mm	—————	40-4-7-1.6S	40-4-7-1.6AL



Please note:

An overview of gas nozzles with dimensions can be found on the next page.

Gas nozzles with thread

Standard gas nozzles

13 mm bottle shaped	PART-NO.
short	401-48-50-G
flush	41-8-13-BF
long	401-42-50-G
13 mm tapered	PART-NO.
short	41-8-13-TS
flush	41-8-13-TF
long	401-4-50-G
16 mm tapered	PART-NO.
short	401-8-62-G
flush	41-8-16-TF
long	401-4-62-G

Heavy Duty gas nozzles

13 mm	PART-NO.
flush, bottle shaped	41-9-13-BF
long, tapered	401-6-50-G
16 mm tapered	PART-NO.
short	401-81-62-G
flush	41-9-16-TF
long	401-6-62-G
ZK type	
13 mm bottle shaped	PART-NO.
short	41-8-113
flush	41-8-113-BF
15 mm bottle shaped	PART-NO.
short	41-8-115
flush	41-8-115-BF
13+15 mm Heavy Duty/tapered	PART-NO.
13 mm, flush	41-9-113-TF
15 mm, flush	41-9-115-TF



Power Lock tool for contact tips

For replacement of contact tips: Fast exchange of contact tip without removing the gas nozzle

Power Lock contact tips

DESCRIPTION	PART-NO.
Power Lock contact tips	51-9001-00



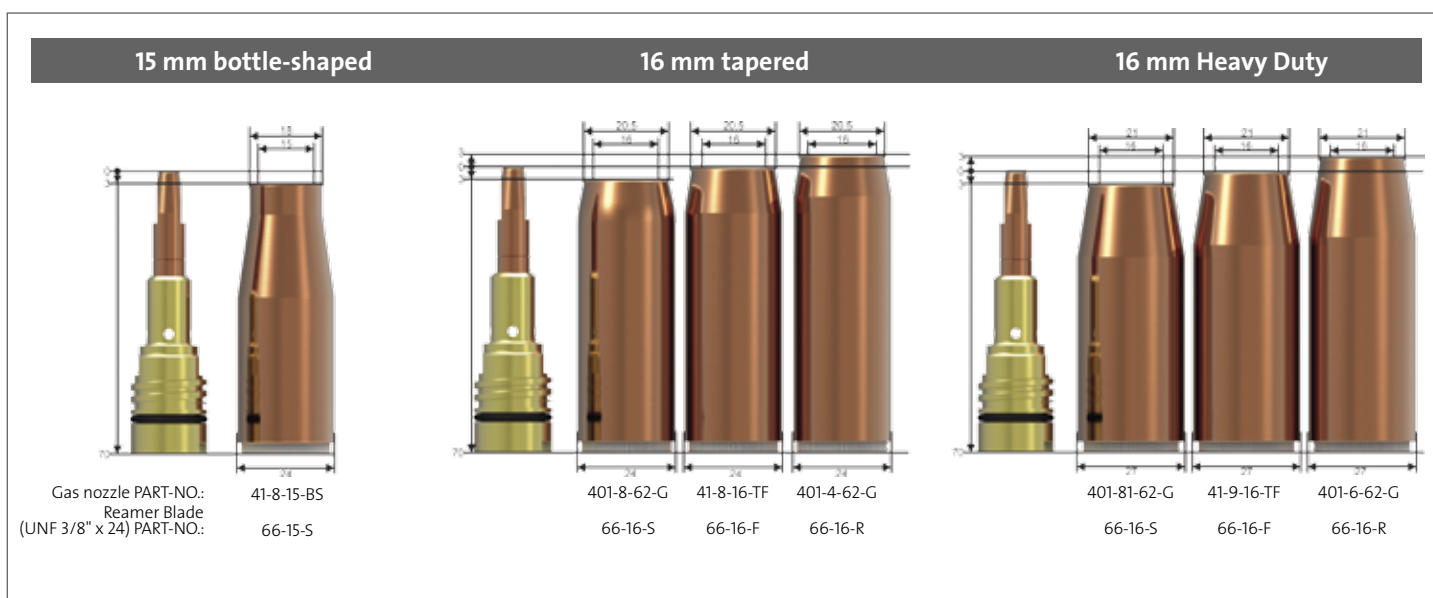
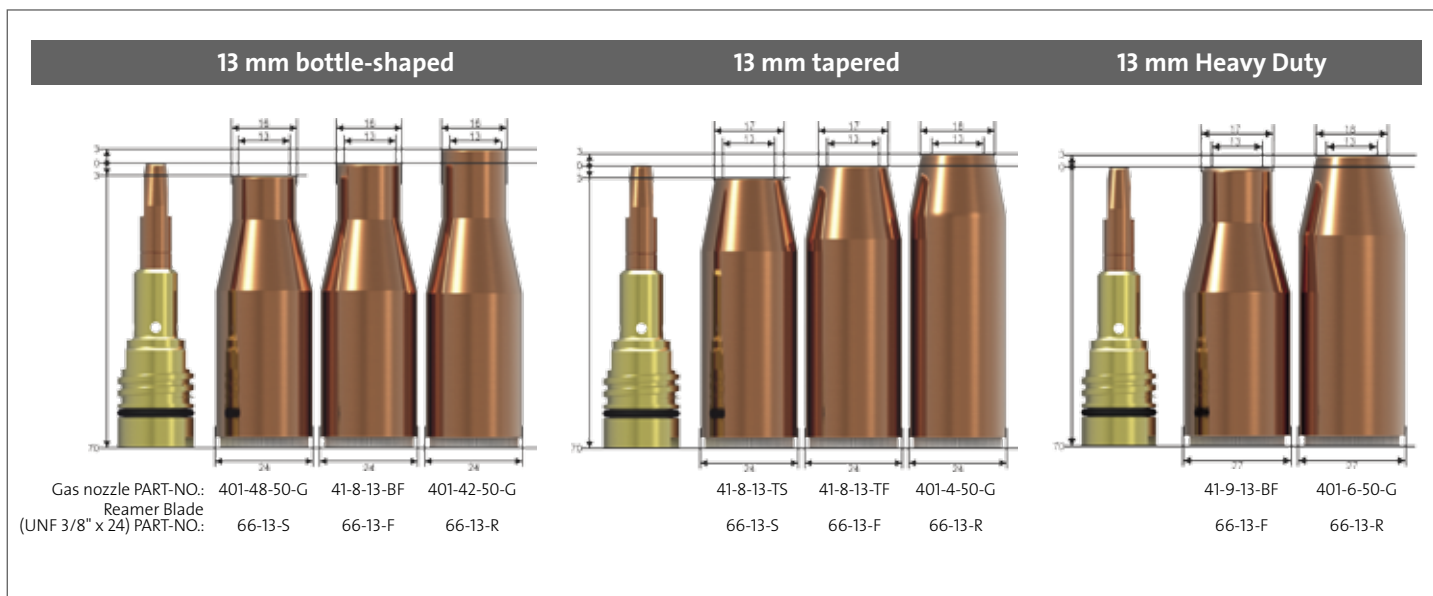
Power Lock programming tips

Power Lock programming tips for precise seam programming

Overview of Power Lock programming tips

Stickout	PART-NO.
12 mm	65-6
15 mm	65-7
20 mm	65-8

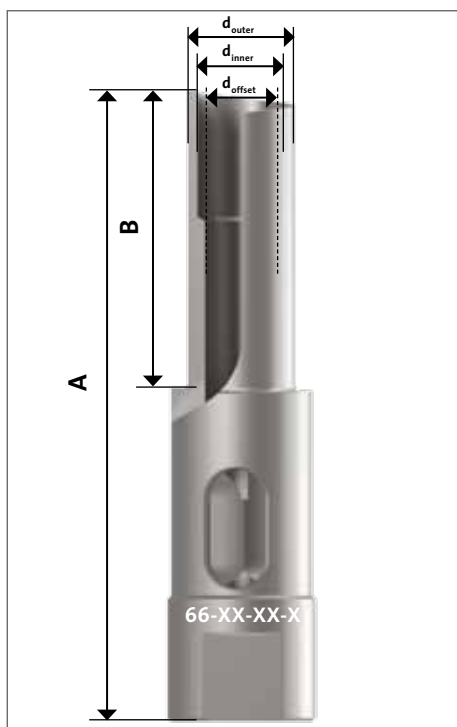
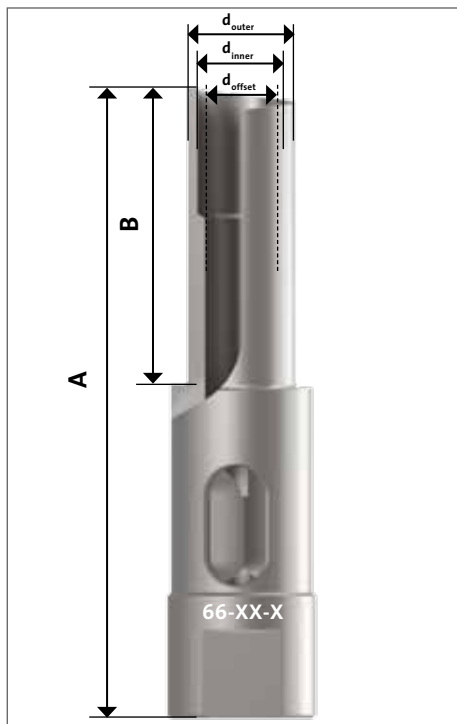
11 Gas nozzles: Overview dimensions



Dimensions in mm.

Further gas nozzles, reamer blades and torch necks can be found in our consumables brochure.

11A Gas nozzles: Reamer blades for standard gas nozzles



Reamer blade (with inner thread UNF UNF 3/8" x 24)

Reamer blade	short	flush	long
Inner diameter of the gas nozzle	PART-NO.	PART-NO.	PART-NO.
13 mm	66-13-S	66-13-F	66-13-R
15 mm	66-15-S	--	--
16 mm	66-16-S	66-16-F	66-16-R

Dimensions

Dimension A	Dimension B	Dimension d_{outer}	Dimension d_{inner}	Dimension d_{offset}	PART-NO.
67	23	12.5	9.8	9.8	66-13-S
70	26	12.5	9.8	9.8	66-13-F
73	29	12.5	9.8	9.8	66-13-R

Dimension A	Dimension B	Dimension d_{outer}	Dimension d_{inner}	Dimension d_{offset}	PART-NO.
85	40	14.5	11.8	9.8	66-15-S

Dimension A	Dimension B	Dimension d_{outer}	Dimension d_{inner}	Dimension d_{offset}	PART-NO.
85	40	15.5	11.8	9.8	66-16-S
88	43	15.5	11.8	9.8	66-16-F
91	46	15.5	11.8	9.8	66-16-R

Reamer blade ZK (with inner thread UNF 3/8" x 24)

Reamer blade	short	flush
Inner diameter of the gas nozzle	PART-NO.	PART-NO.
13 mm	66-13-ZK-S	66-13-ZK-F
15 mm	66-15-ZK-S	66-15-ZK-F

Dimensions

Dimension A	Dimension B	Dimension d_{outer}	Dimension d_{inner}	Dimension d_{offset}	PART-NO.
77	23	12.5	9.8	9.8	66-13-ZK-S
77	26	12.5	9.8	9.8	66-13-ZK-F

Dimension A	Dimension B	Dimension d_{outer}	Dimension d_{inner}	Dimension d_{offset}	PART-NO.
77	32	14.5	11.8	9.8	66-15-ZK-S
77	35	14.5	11.8	9.8	66-15-ZK-F

Please note:

Dimensions in mm.